

# SMART DIGITAL THICKNESS GAUGES

ATTENTION: RECHARGEABLE BATTERY,  
FOR 24 HOURS CONTINUOUS WORKING

DATA  
OUTPUT

LINEAR BALL BEARINGS  
FOR TEN MILLION TIMES USE

ABSOLUTE ENCODER, THE ORIGINAL  
DATA REMAINS AFTER POWER OFF

AUTOMATIC MEASUREMENT OF THE MIN. VALUE, AND THE DATA  
CAN BE TRANSMITTED AUTOMATICALLY AFTER MEASUREMENT

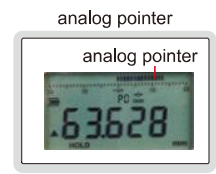
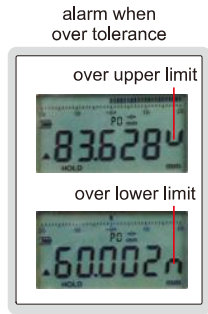
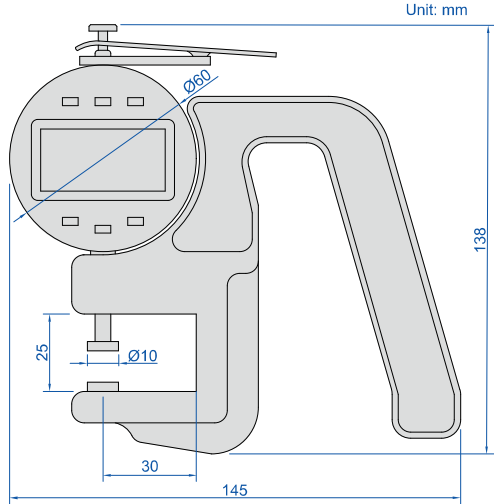


2850-10

- Linear ball bearings for ten million times use
- Absolute encoder, the original data remains after power off
- Adjustable resolution: 0.0005mm/0.00002"  
0.001mm/0.00005"  
0.01mm/0.0005"
- Ceramic spindle tip and anvil
- Reading in digital and analog
- Data output
- Automatic measurement of the min. value, and the data can be transmitted automatically after measurement
- Button function: data output, tolerance, data preset, data hold, measuring direction change, power off time, on/off, mm/inch, adjust resolution
- Power: rechargeable battery, for 24 hours continuous working

**With data interface**

Optional accessory:  
wireless transmitter, code 7315-60 page  
data output cable (keyboard format), code 7302-60 page



wireless receiver  
2134-R1, 2134-R2 (optional)



Code	Range	Accuracy
2850-10	10mm/0.4"	±3µm

**Built-in wireless**

Optional accessory:  
wireless receiver (keyboard format, connect up to 15 digital indicators), code 2134-R1  
wireless receiver (serial port format, connect up to 15 digital indicators), code 2134-R2

Code	Range	Accuracy
2850-10WL	10mm/0.4"	±3µm